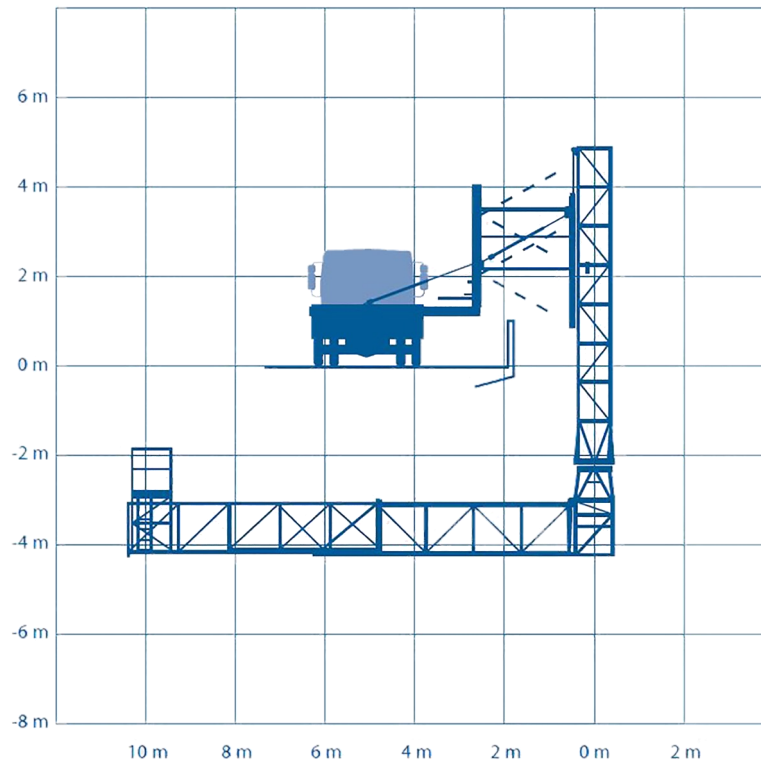


# Underbridge Inspection Unit

## MBI 110-130 - 1,2/S

### Self-propelled working unit

Max. horiz. outreach below construction	11,00 - 13,00 m	Total length	10,30 m
Width of platform (basic/telescopic)	1,20/1,10 m	Total width	2,50 m
Max. lowering depth	7,30 m	Transport height	4,00 m
Max. vertical overbridging	2,30 - 3,30 m	Diesel power unit, rear view camera Permissible up to max. wind speed of 12,5 m/s.  Driving licence category: C  <b>Equipment on platform</b> Power connection 220-380 V, 1 scaffold, videocontrolled platform	
Max. horizontal overbridging (noise barrier)	3,00 m		
Max. load on platform (incl. equipment)	500 kg		
Max. capacity on extended telescopic platform	250 kg		
Rotation area of platform	180 °		
Permissible longitudinal gradient	6 % (3°)		
Space required on bridge	2,40 m		
Total weight	18.000 kg		



WEICO Srl/GmbH - Zona produttiva Ziggler 4 - Gewerbezone Ziggler - I-39040 Velturno/Feldthurns (BZ)

Partita IVA/MwSt. Nr./VAT Number: IT02478870211 - +39 0472 857 800 - info@weico-bridge.it - www.weico-bridge.it